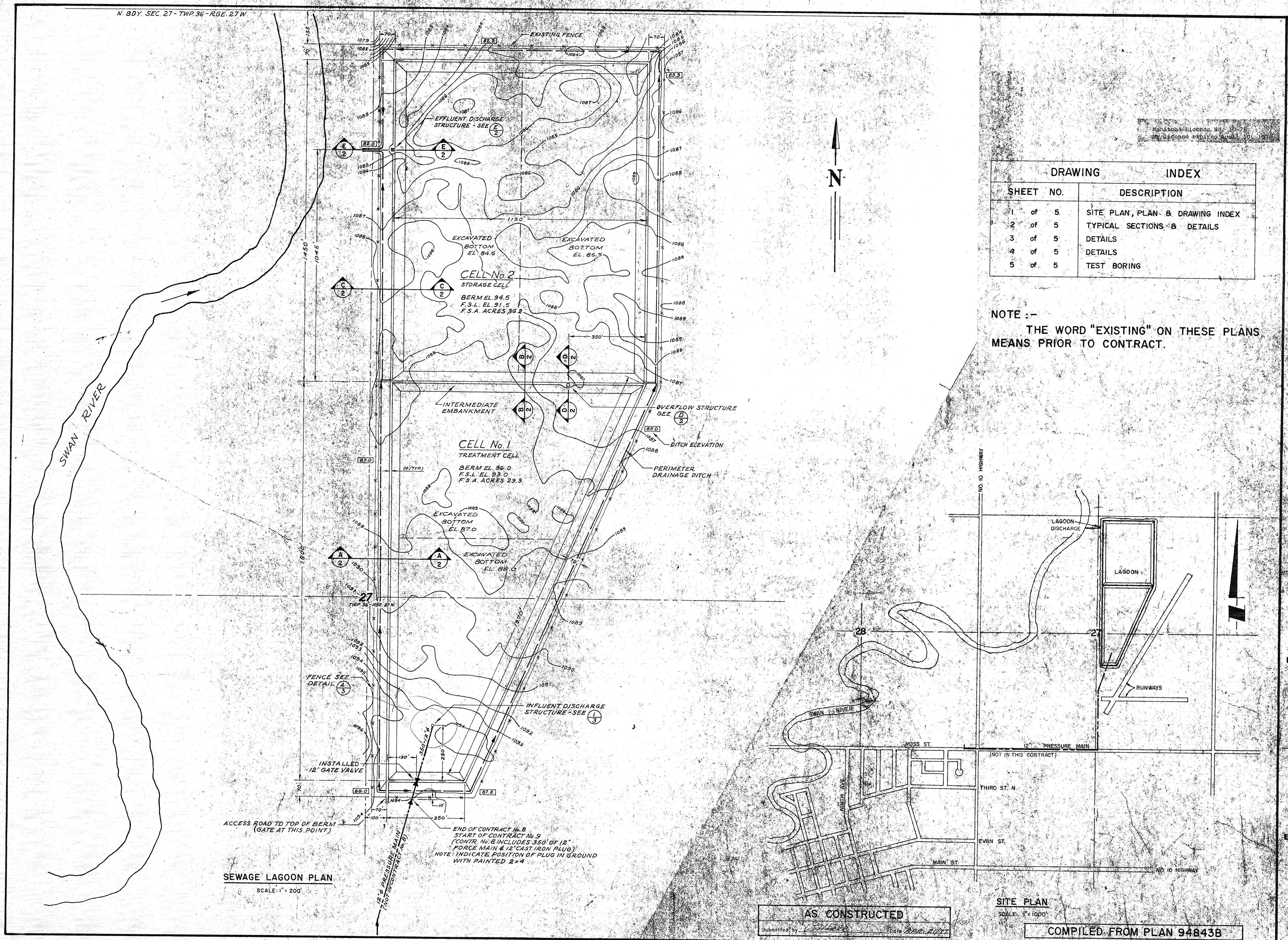


N. BDY. SEC. 27 - TWP. 36 - RGE. 27 W.



**SEWAGE LAGOON PLAN**  
SCALE: 1" = 200'

**AS CONSTRUCTED**  
Submitted by: [Signature] Date: [Date]

**SITE PLAN**  
SCALE: 1" = 1000'  
**COMPILED FROM PLAN 94843B**

DRAWING		INDEX
SHEET NO.		DESCRIPTION
1	of 5	SITE PLAN, PLAN & DRAWING INDEX
2	of 5	TYPICAL SECTIONS & DETAILS
3	of 5	DETAILS
4	of 5	DETAILS
5	of 5	TEST BORING

**NOTE :-**  
THE WORD "EXISTING" ON THESE PLANS MEANS PRIOR TO CONTRACT.

**AESL**  
ASSOCIATED ENGINEERING SERVICES LTD.  
CONSULTING ENGINEERS  
REGINA

BRITISH COLUMBIA • ALBERTA  
SASKATCHEWAN • MANITOBA

A E S L No.	2226 - G921
SCALES	AS SHOWN
DATE	APRIL 1975
DRAWN BY	G.A.B.
DESIGN	B.J.
CHECKED	
APPROVED	

NO.	DATE	BY	ENG.	SUBJECT

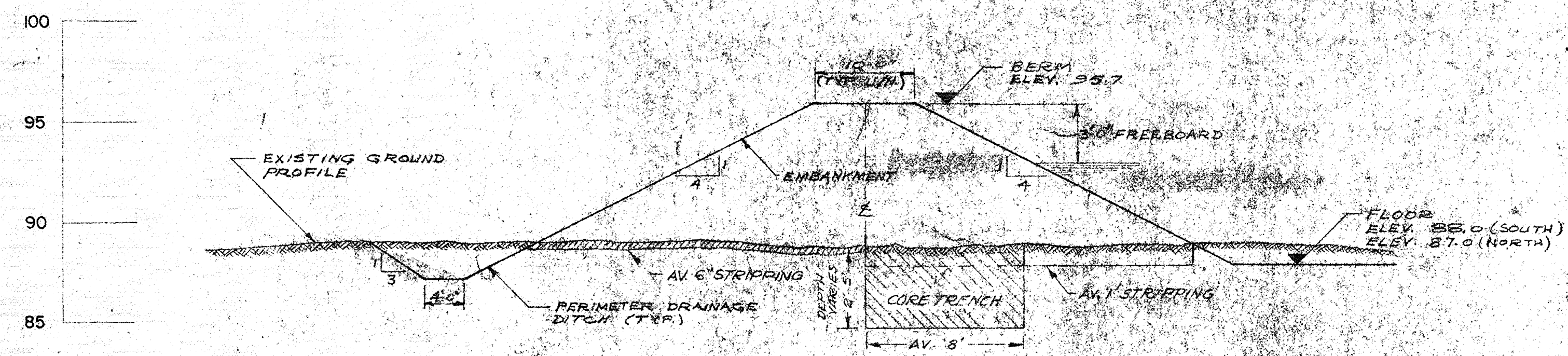
Regional Economic Expansion / Expansion Economique Regionale

**P F R A**  
**ENGINEERING SERVICE**

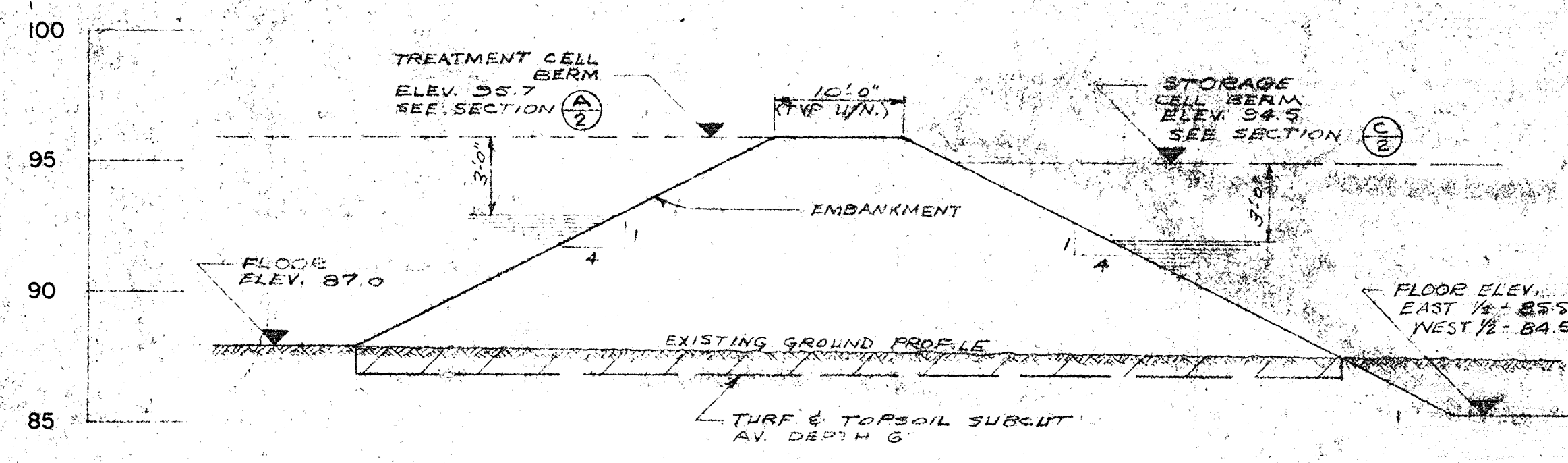
APPROVED: [Signature]  
DATE: May 13, 1975

**TOWN OF SWAN RIVER MANITOBA**  
CONTRACT # 8  
**SEWAGE LAGOON**

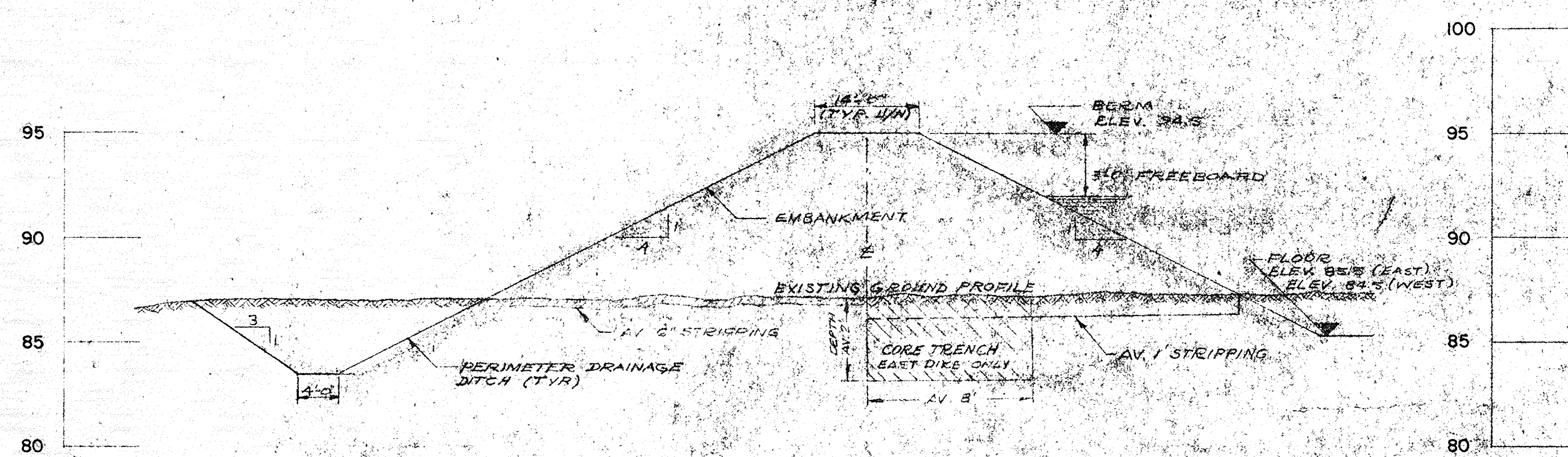
SHEET NO.	1	OF	5	PER SET
DRAWING NUMBER	C94843	REV.		



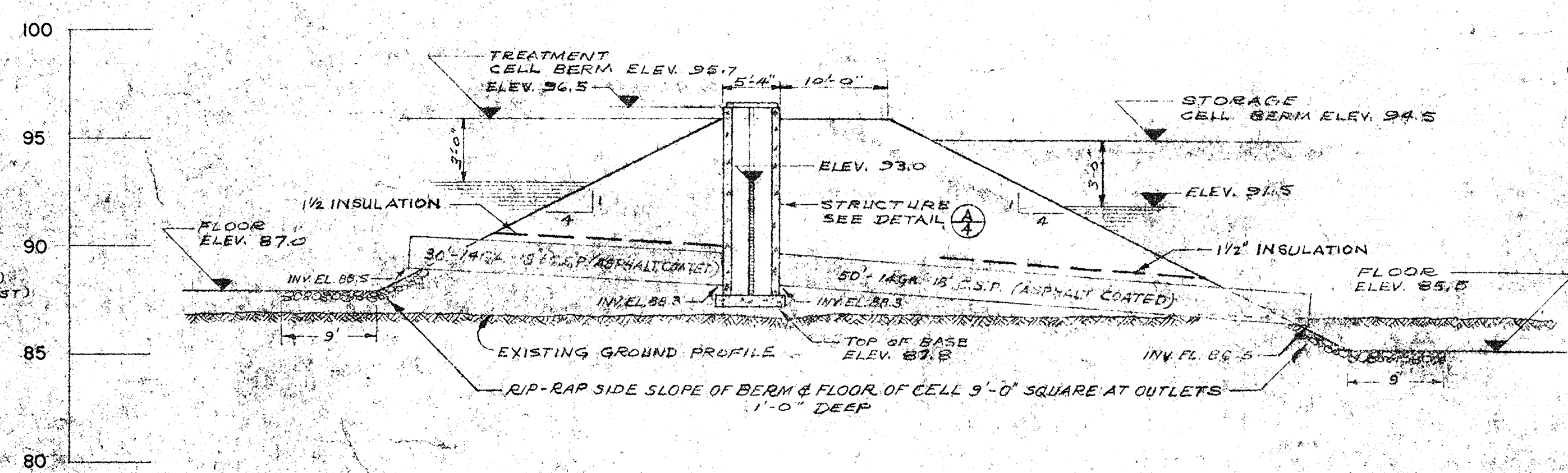
**A**  
**2** TYPICAL PERIMETER EMBANKMENT  
SCALE: HOR. 1" = 10'  
VERT. 1" = 5'



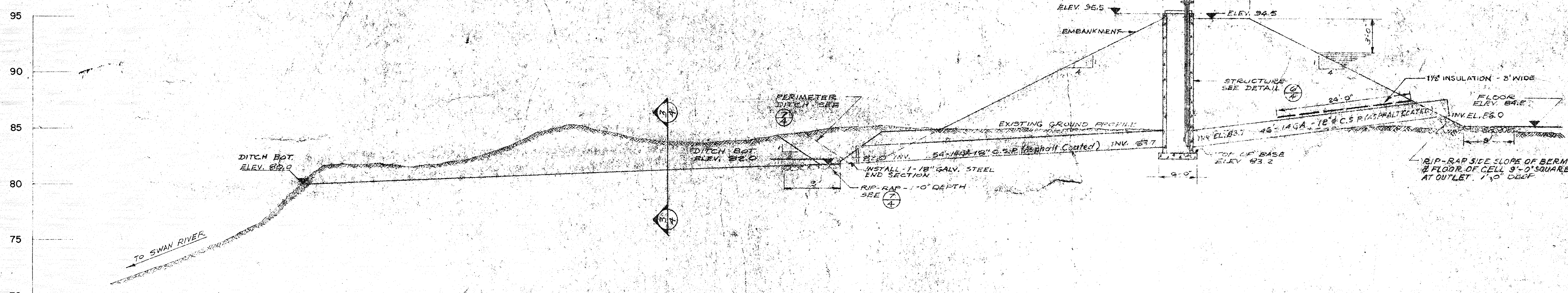
**B**  
**2** TYPICAL INTERMEDIATE EMBANKMENT  
SCALE: HOR. 1" = 10'  
VERT. 1" = 5'



**C**  
**2** TYPICAL PERIMETER EMBANKMENT  
SCALE: HOR. 1" = 10'  
VERT. 1" = 5'



**D**  
**2** OVERFLOW STRUCTURE  
SCALE: HOR. 1" = 10'  
VERT. 1" = 5'



**E**  
**2** EFFLUENT DISCHARGE STRUCTURE  
SCALE: HOR. 1" = 10'  
VERT. 1" = 5'

AS CONSTRUCTED  
Submitted by LSH Date 08/11/77

COMPILED FROM PLAN 94844B

**AESL**  
ASSOCIATED ENGINEERING SERVICES LTD.  
CONSULTING ENGINEERS  
REGINA

AESL No.	2226-692T
SCALES	AS SHOWN
DATE	APRIL 1975
DRAWN BY	G.A.B.
DESIGN	B.J.
CHECKED	
APPROVED	

No.	DATE	BY	ENG.	SUBJECT

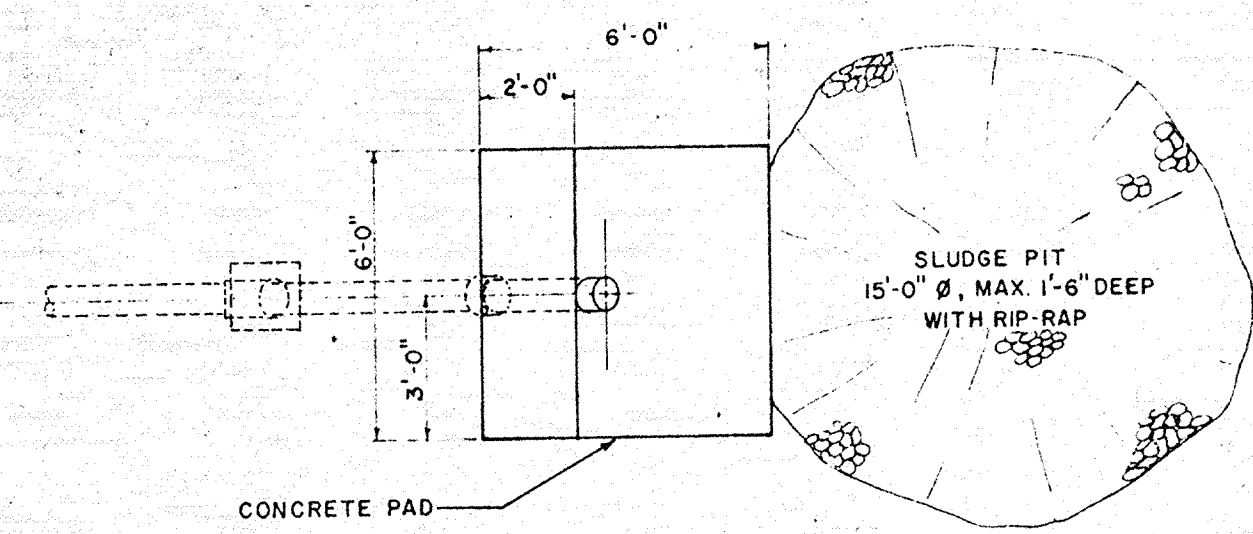
Regional Economic Expansion / Expansion Economique Regionale  
**P F R A**  
ENGINEERING SERVICE  
APPROVED [Signature]  
DATE May 13, 1975

**TOWN OF SWAN RIVER MANITOBA**  
CONTRACT # 8  
SEWAGE LAGOON

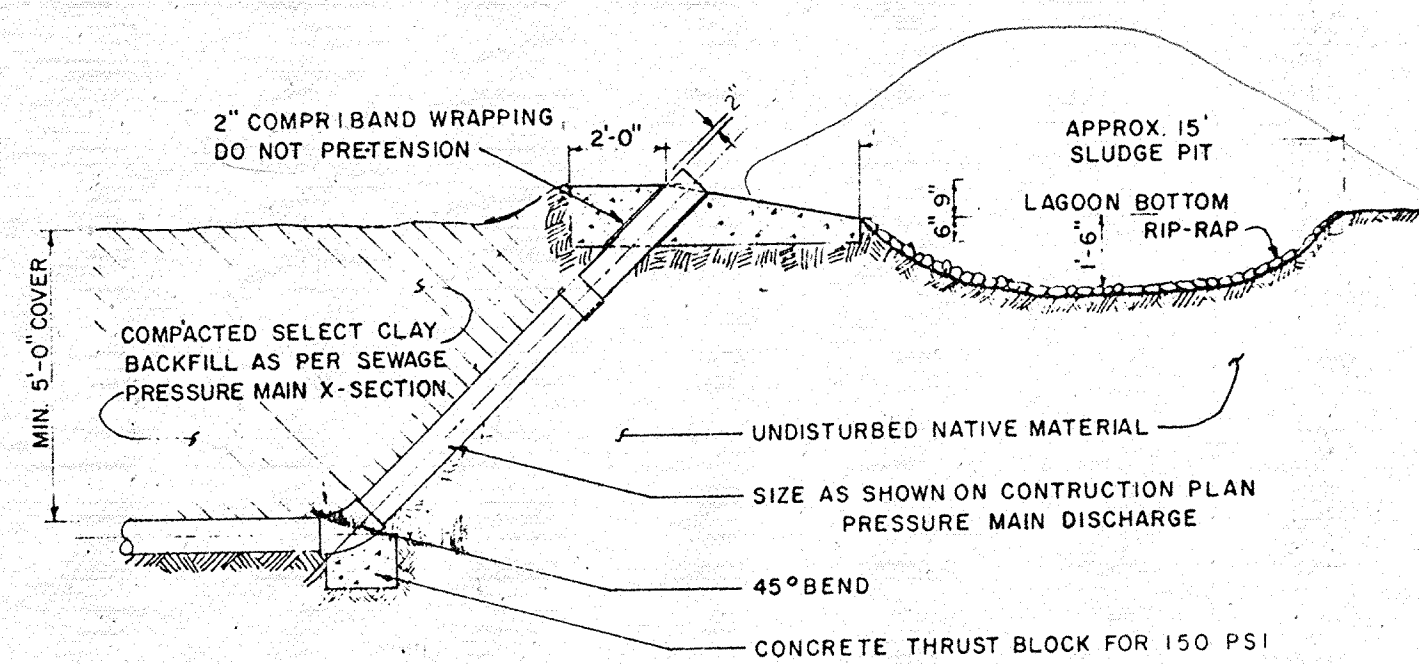
TYPICAL SECTIONS & DETAILS

SHEET No. 2 OF 5 PER SET

DRAWING NUMBER	REV.
C94844	

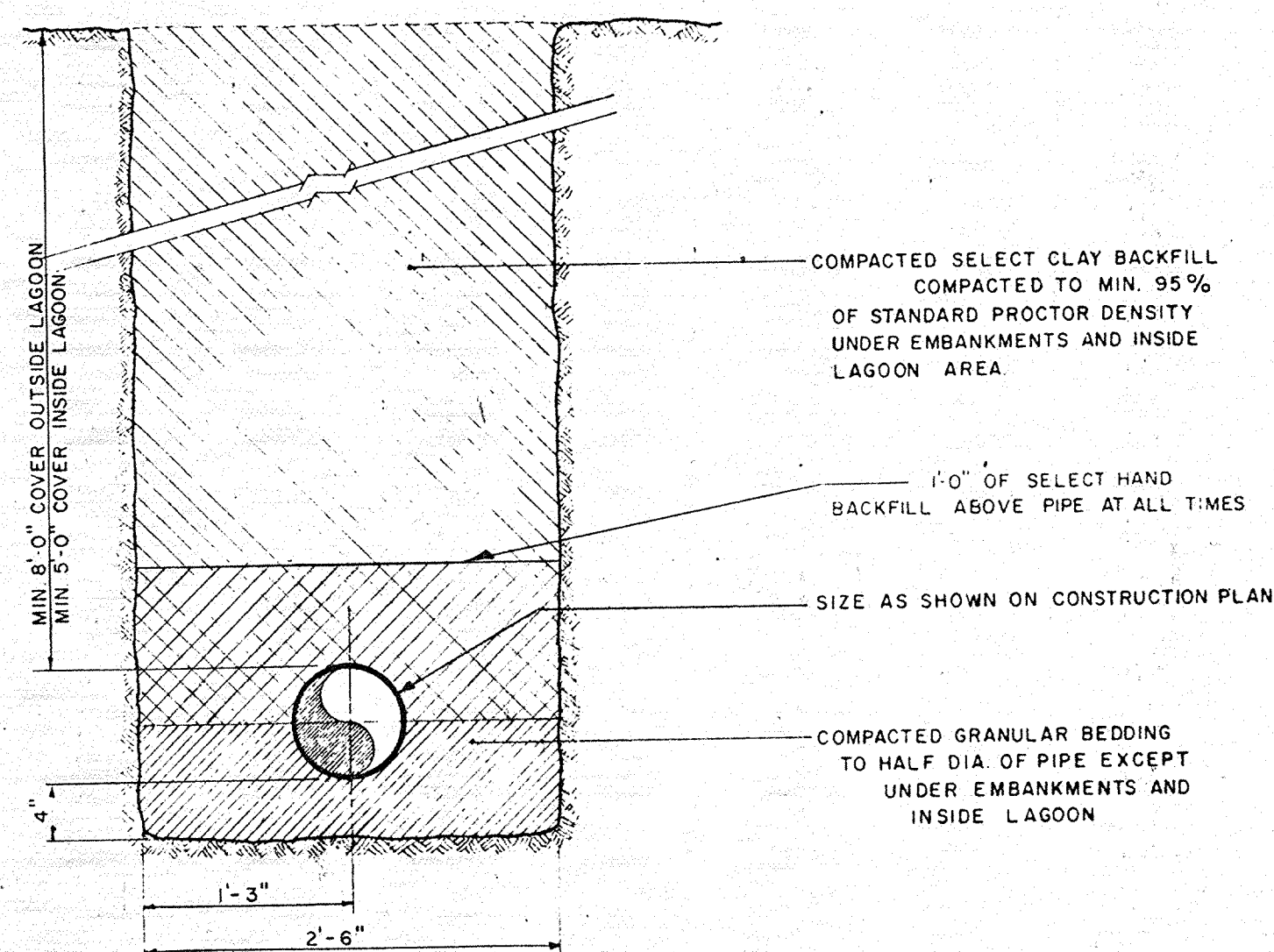


PLAN VIEW

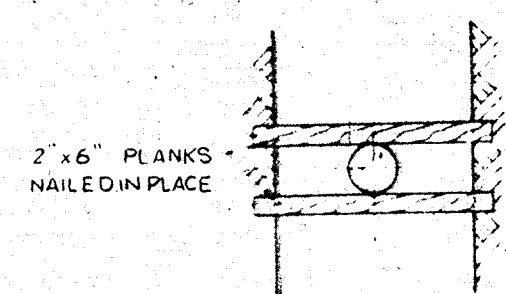


SECTION

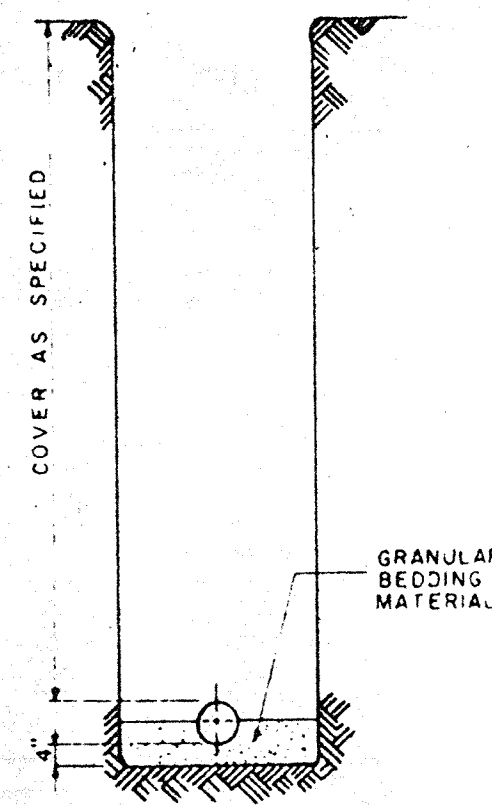
TYPICAL DISCHARGE STRUCTURE



TYPICAL CROSS-SECTION OF SEWAGE PRESSURE MAIN

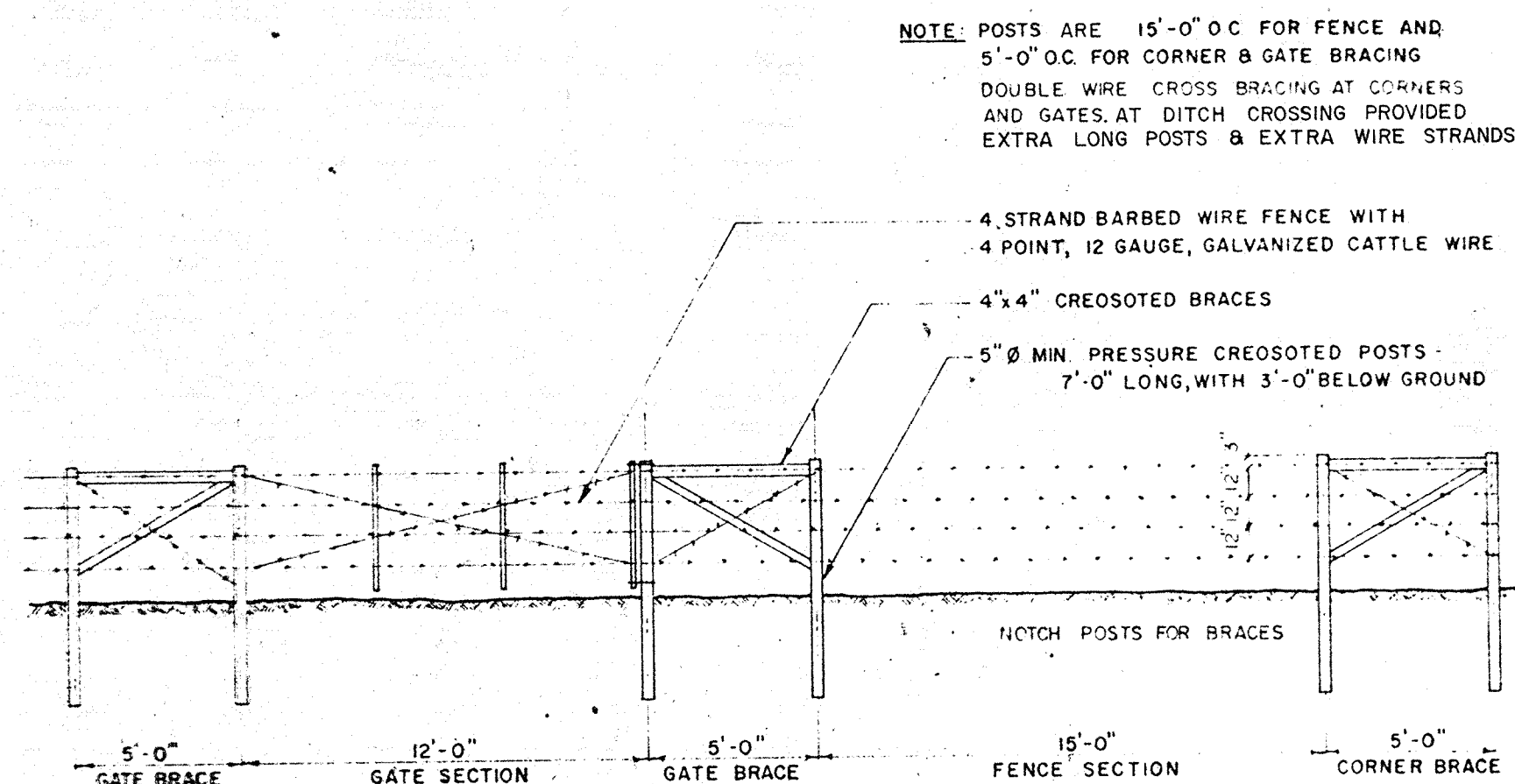


SPINDLE SUPPORT

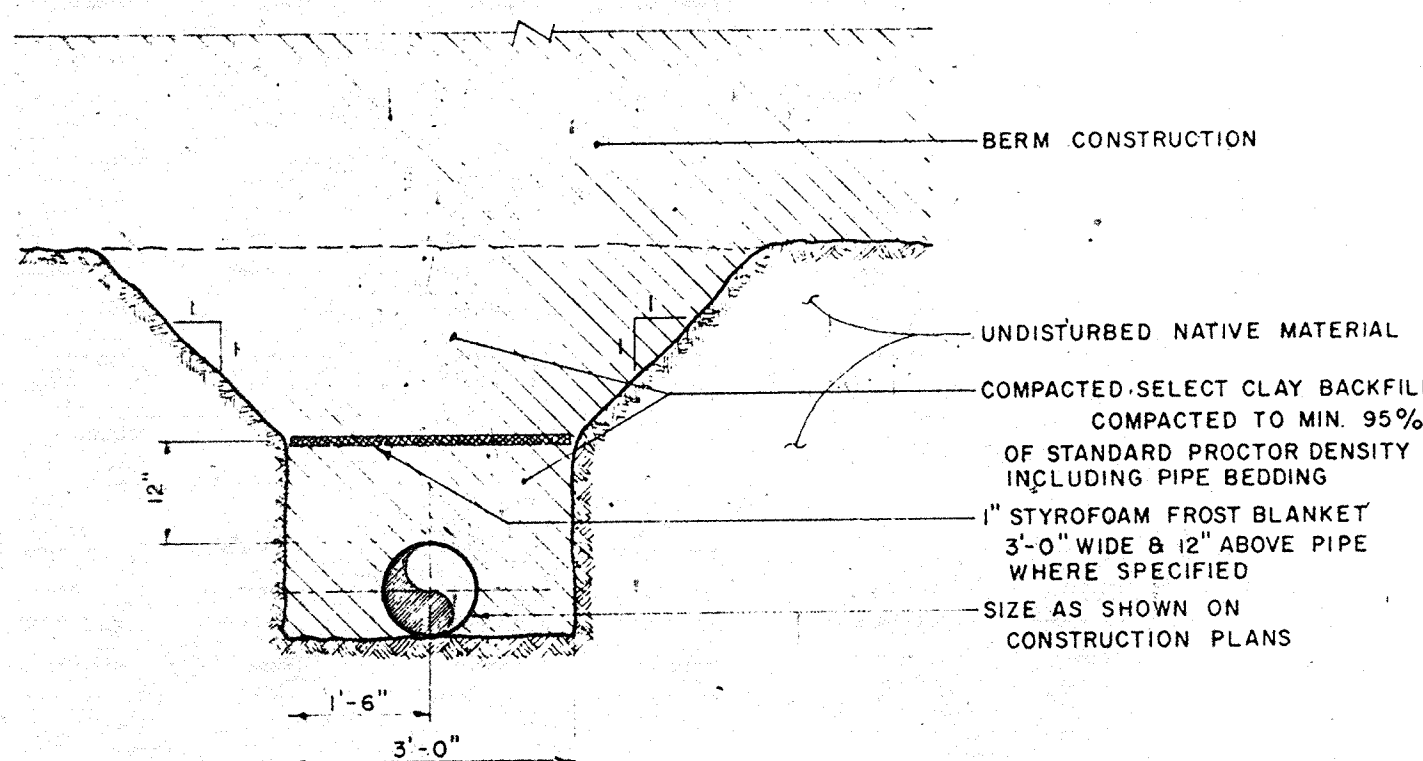


PIPE BEDDING

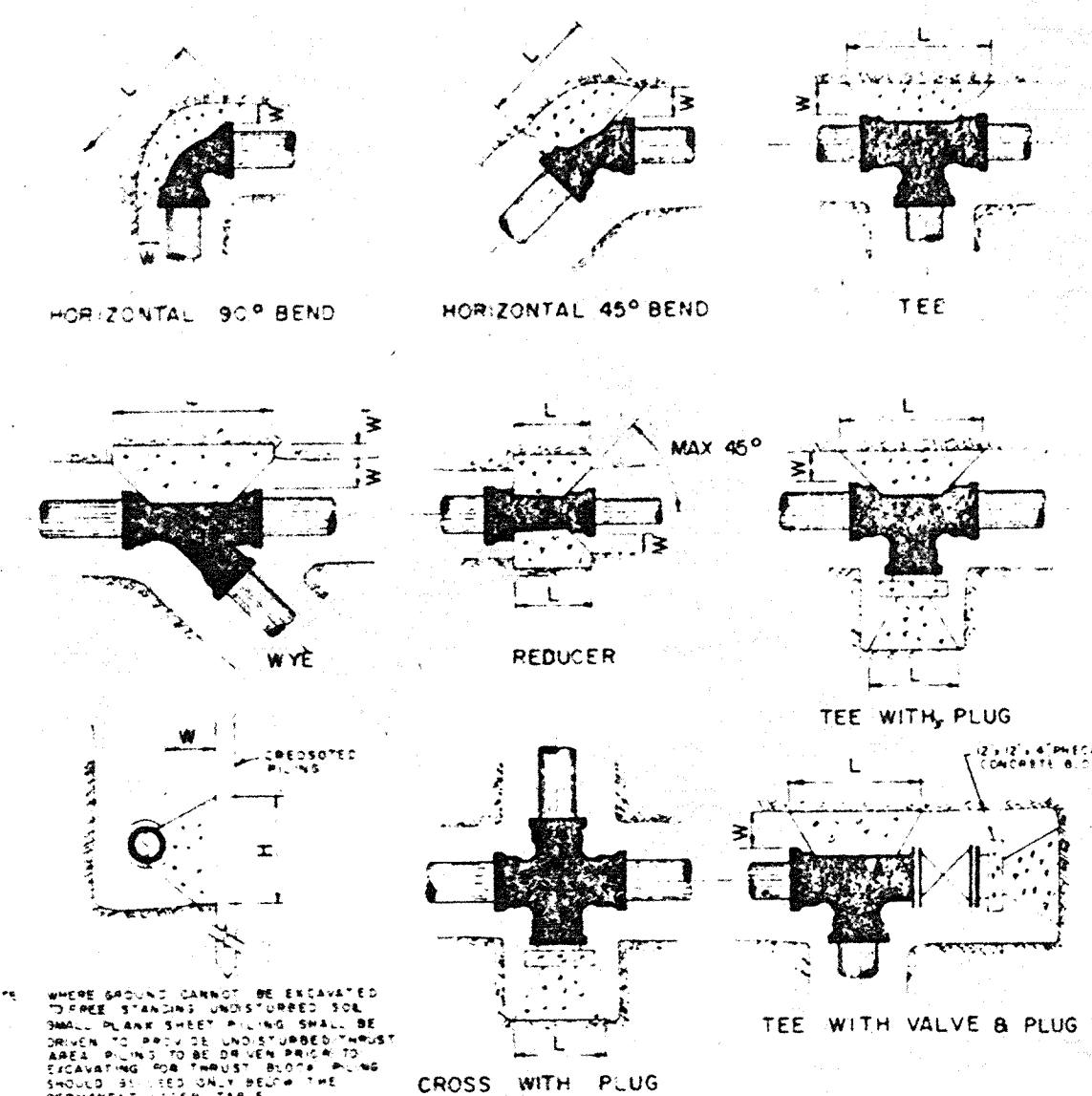
TYPICAL SPINDLE SUPPORT & PIPE BEDDING



FENCE & GATE DETAILS



TYPICAL CROSS-SECTION OF OVERFLOW OR DRAINLINE UNDER EMBANKMENT



NOTE: ALL DIMENSIONS ARE IN INCHES. DIMENSIONS APPLY TO THE LARGER DIAMETER END OF FITTING.

TYPE OF FITTING	FITTING SIZE		NECESSARY THRUST AREA		TYPE OF FITTING	FITTING SIZE		NECESSARY THRUST AREA	
	IN	OD	IN	OD		IN	OD	IN	OD
90° BEND	8	12	25	18	CROSS	8	12	18	24
	10	14	32	24		10	14	24	32
	12	16	40	30		12	16	30	40
	14	18	50	38		14	18	38	50
45° BEND	8	12	25	18	45° WYE	8	12	18	24
	10	14	32	24		10	14	24	32
	12	16	40	30		12	16	30	40
	14	18	50	38		14	18	38	50
22 1/2° BEND	8	12	18	9	REDUCER	8	12	12	18
	10	14	24	12		10	14	16	24
	12	16	32	16		12	16	22	32
	14	18	40	20		14	18	28	40
TEE	8	12	25	18	CAPS AND PLUGS (IF NOT BOLTED)	8	12	18	24
	10	14	32	24		10	14	24	32
	12	16	40	30		12	16	30	40

THRUST BLOCK DETAILS

**AESL**  
ASSOCIATED ENGINEERING SERVICES LTD.  
CONSULTING ENGINEERS REGINA

Manitoba License No. 10-75  
By License Expires April 10, 1976  
BRITISH COLUMBIA & ALBERTA  
SASKATCHEWAN • MANITOBA

A E S L No.	2226-G921
SCALES	NTS
DATE	APRIL 1975
DRAWN BY	G.A.B.
DESIGN	B.J.
CHECKED	
APPROVED	

No.	DATE	BY	ENG	SUBJECT
REVISION				

Regional Economic Expansion / Expansion Economique Regionale

P F R A  
ENGINEERING SERVICE

APPROVED *[Signature]*  
DATE May 13, 1975

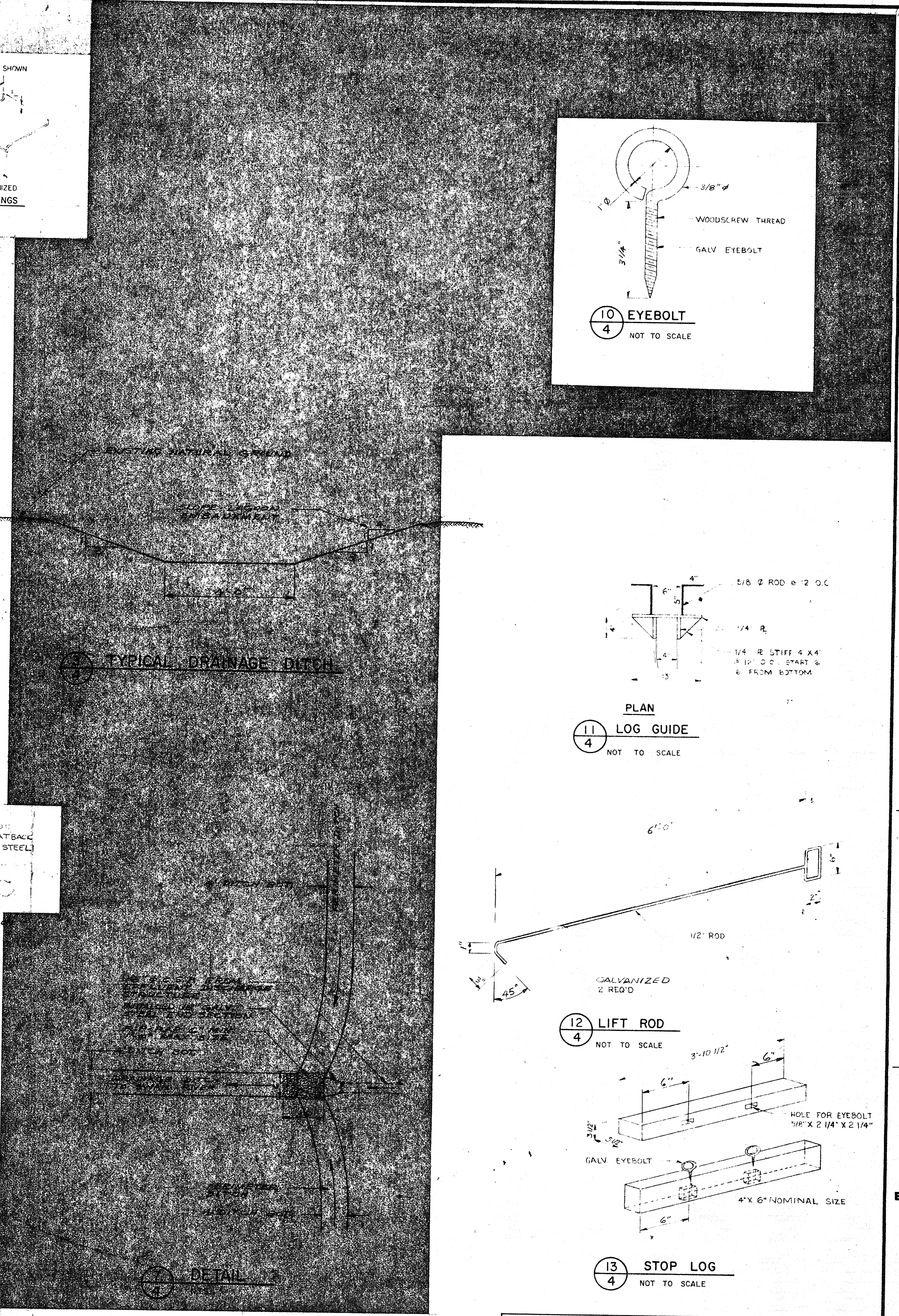
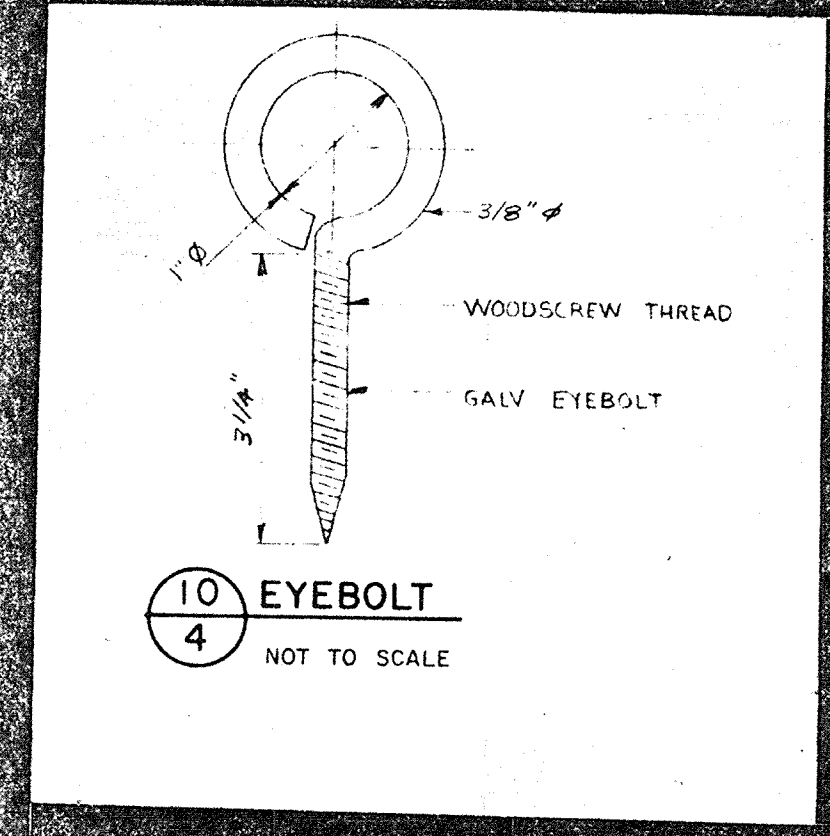
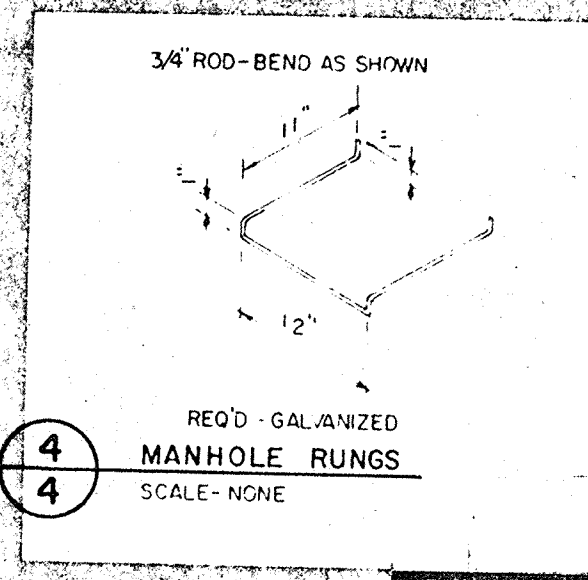
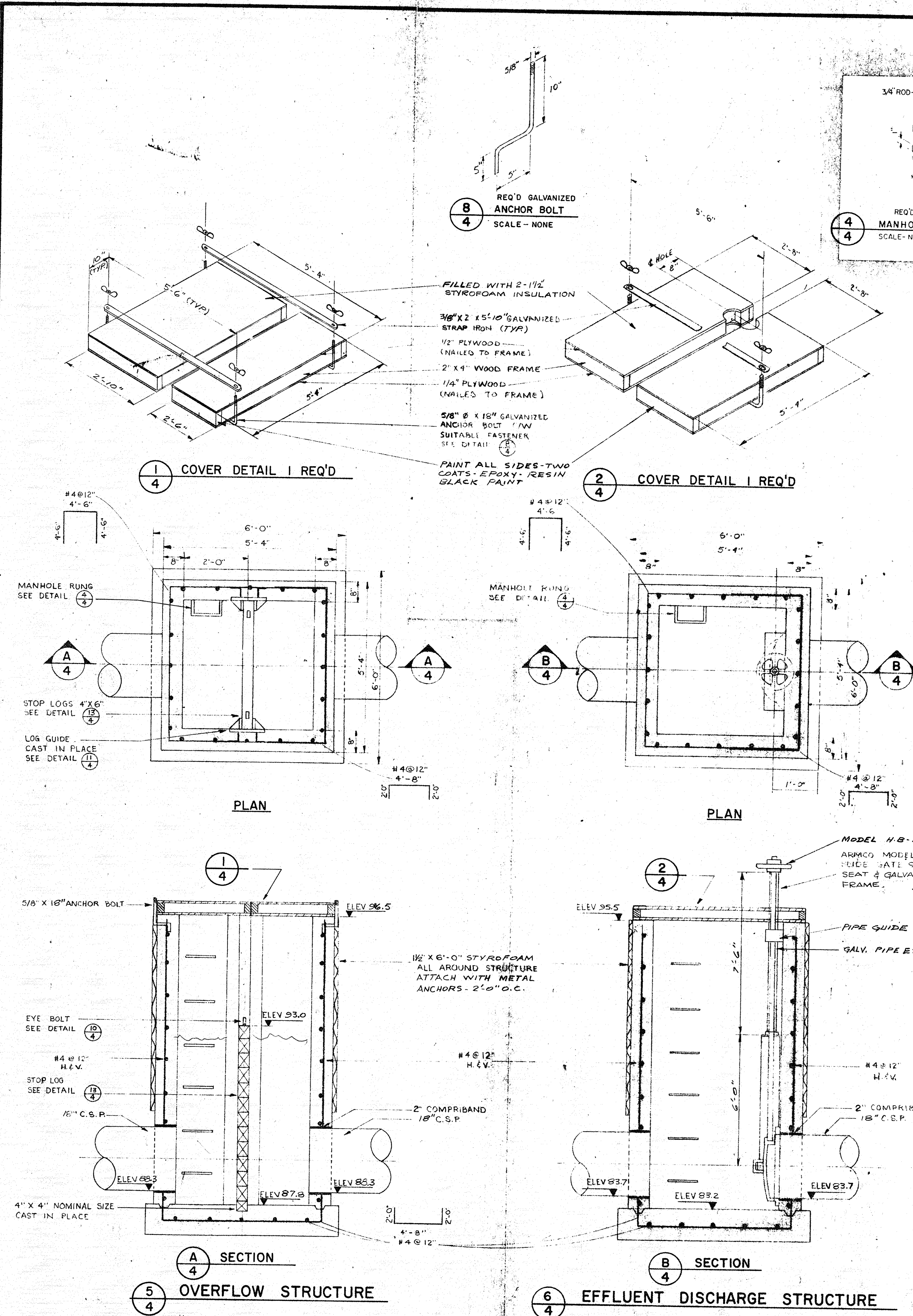
TOWN OF SWAN RIVER  
MANITOBA  
CONTRACT # 8  
SEWAGE LAGOON

DETAILS

SHEET No. 3 OF 5 PER SET
DRAWING NUMBER C94845
REV.

AS CONSTRUCTED  
Submitted by *[Signature]* Date APR 21/77

COMPILED FROM PLAN 94845



**AESL**  
 ASSOCIATED ENGINEERING SERVICES LTD.  
 CONSULTING ENGINEERS REGINA

Manitoba License No. 10-75  
 My license expires April 10, 1976  
 BRITISH COLUMBIA • ALBERTA  
 SASKATCHEWAN • MANITOBA

AESL No.	2226-6921
SCALES	1/2" = 1' OR AS SHOWN
DATE	MARCH 1975
DRAWN BY	R. B., G.A.B.
DESIGN	B.J.
CHECKED	
APPROVED	

No.	DATE	BY	ENG	SUBJECT
REVISION				

**P.F.R.A. ENGINEERING SERVICE**  
 APPROVED *[Signature]*  
 DATE *May 13, 1975*

**TOWN OF SWAN RIVER MANITOBA**  
 CONTRACT # 8  
 SEWAGE LAGOON

**DETAILS**

SHEET No. 4 OF 5 PER SET  
 DRAWING NUMBER REV.  
**C94846**