


Notice of Alteration Form



Client File No. :	Environment Act Licence No. : 58 HW S2 RRRR
Legal name of the Licencee:	Miller Environmental Corporation
Name of the development:	MANITOBA ENVIRONMENTAL CENTRE
Category and Type of development per Classes of Development Regulation:	Waste Treatment and Disposal <SELECT>
Licencee Contact Person:	Dave Howes
Mailing address of the Licencee:	1803 Hekla Ave.
City:	Winnipeg
Province:	MB
Postal Code:	R3N 0T1
Phone Number:	(204) 925-9600
Fax:	(204) 925-9601
Email:	daveh@millerenvironmental.mb.ca
Name of proponent contact person for purposes of the environmental assessment (e.g. consultant):	Dave Howes
Phone:	(204) 925-9604
Mailing address:	Same as above
Fax:	(204) 925-9601
Email address:	daveh@millerenvironmental.mb.ca
Short Description of Alteration (max 90 characters):	Construction of new repository cell (RC3).
Alteration fee attached:	Yes: <input type="checkbox"/> No: <input checked="" type="checkbox"/>
If No, please explain: Waiting for confirmation if application fee applies.	
Date: 2020-05-14	Signature: 
Printed name: Dave Howes	
A complete Notice of Alteration (NoA) consists of the following components:	Submit the complete NoA to:
<input checked="" type="checkbox"/> Cover letter	Director
<input checked="" type="checkbox"/> Notice of Alteration Form	Environmental Approvals Branch
<input checked="" type="checkbox"/> 2 hard copies and 1 electronic copy of the NoA detailed report (see "Information Bulletin - Alteration to Developments with Environment Act Licences")	Manitoba Sustainable Development
<input type="checkbox"/> \$500 Application fee, if applicable (Cheque, payable to the Minister of Finance)	1007 Century Street
	Winnipeg, Manitoba R3H 0W4
	For more information:
	Phone: (204) 945-8321
	Fax: (204) 945-5229
	http://www.gov.mb.ca/sd/eal
Note: Per Section 14(3) of the Environment Act, Major Notices of Alteration must be filed through submission of an Environment Act Proposal Form (see "Information Bulletin – Environment Act Proposal Report Guidelines")	



Miller Environmental Corporation

1803 Hekla Avenue
Winnipeg, Manitoba R2R 0K3
Tel. (204) 925-9600 Fax (204) 925-9601

Committed to Leadership in Our Industry

May 15, 2020

Manitoba Conservation and Climate
Environmental Compliance and Enforcement
1007 Century Street
Winnipeg, MB R3H 0W4

Attn: Shannon Kohler – Acting Director, Environmental Compliance and Enforcement

Dear Ms. Kohler:

RE: Repository Extension - License DGHTA No. 58 HW S2 RRRR

Please accept this as Miller Environmental Corporation's (Miller) notification of extension to our current repository cell as regulated under the issued Dangerous Goods Handling & Transportation Act License No. 58 HW S2 RRRR.

Miller has been working with KGS Group to provide the engineered drawings and construction details to support the repository extension. For repository extension details, please refer to Appendix A – Repository Cell 3 Stamped Construction Drawings. As per Miller's facility operating licence No. 58 HW S2 RRRR, construction will conform to requirements under the section titled "Respecting the Construction of the Repository Cell" (clauses 40 to 48). Upon completion of the repository extension, operations will continue as per sections "Respecting the Operation of the Repository Cell" (clauses 49 to 53) and "Respecting the Operating Plan and Operating Records" (clauses 54 to 55).

If you have any questions, please feel free to contact me at 204-925-9604 or by email at daveh@millerenvironmental.mb.ca

Sincerely yours,

Miller Environmental Corporation

A handwritten signature in black ink, appearing to read 'Dave Howes', is written over a light blue horizontal line.

Dave Howes
Director of Regulatory Affairs

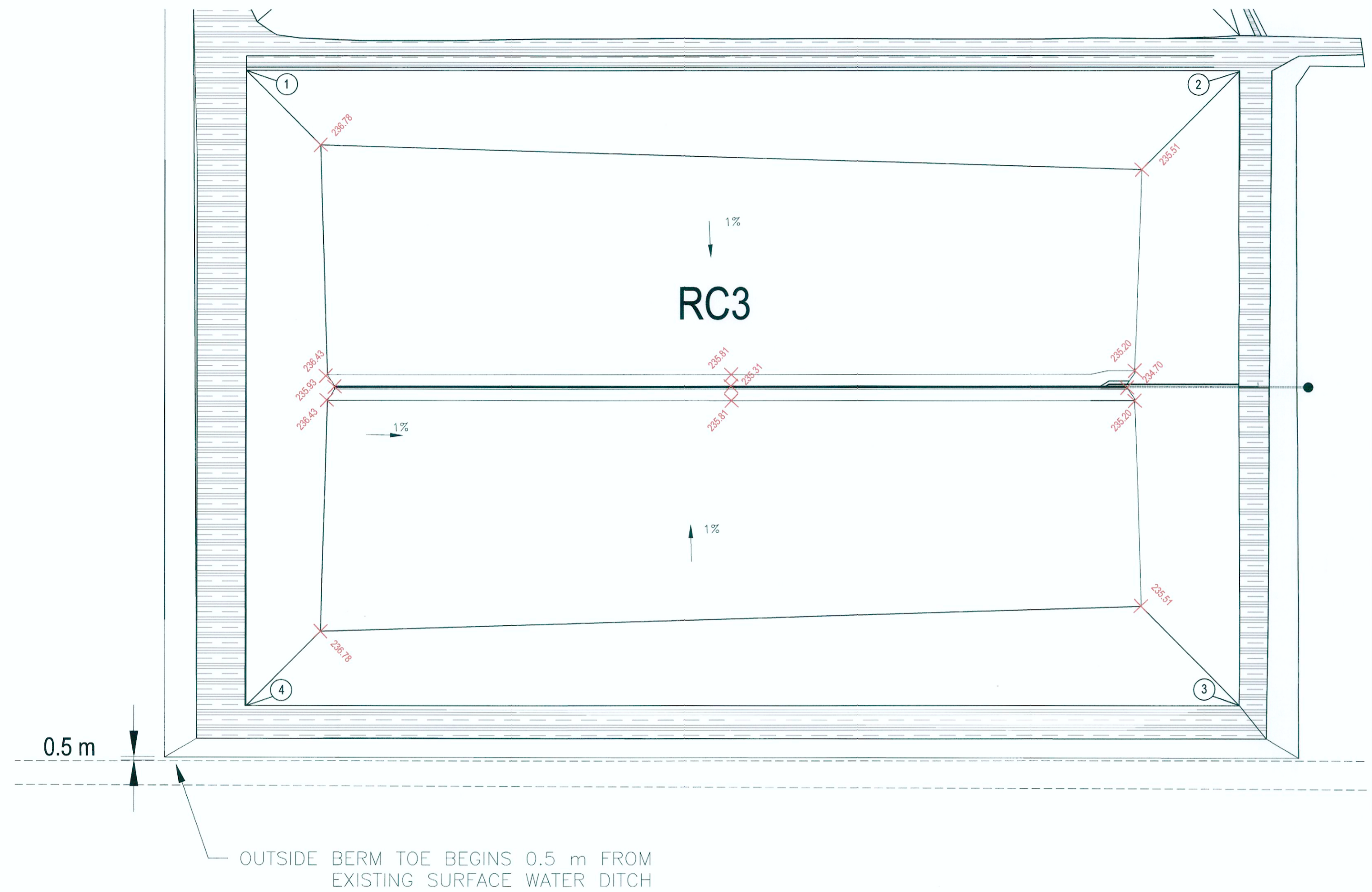
CC: Cory Graham – Manitoba Conservation and Climate
Paul Bauer – Vice President & General Manager, Miller Environmental Corporation
Yolo Ortiz – Operations Manager, Miller Environmental Corporation

Appendix A

Repository Cell 3 Stamped Construction Drawings



1 SITE PLAN
Scale: 1mm = 1m A1



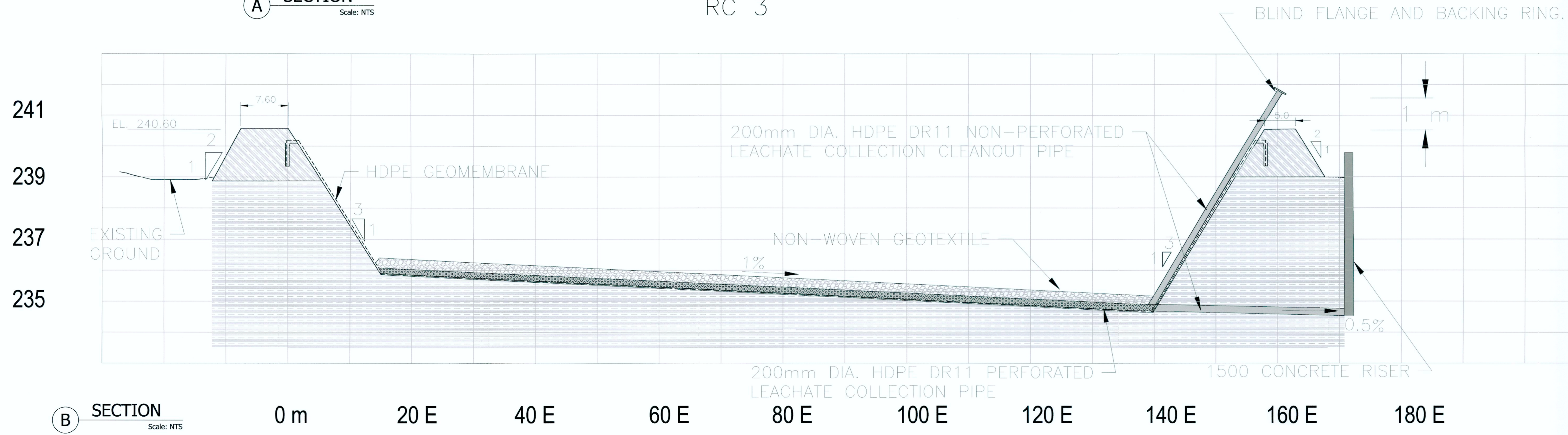
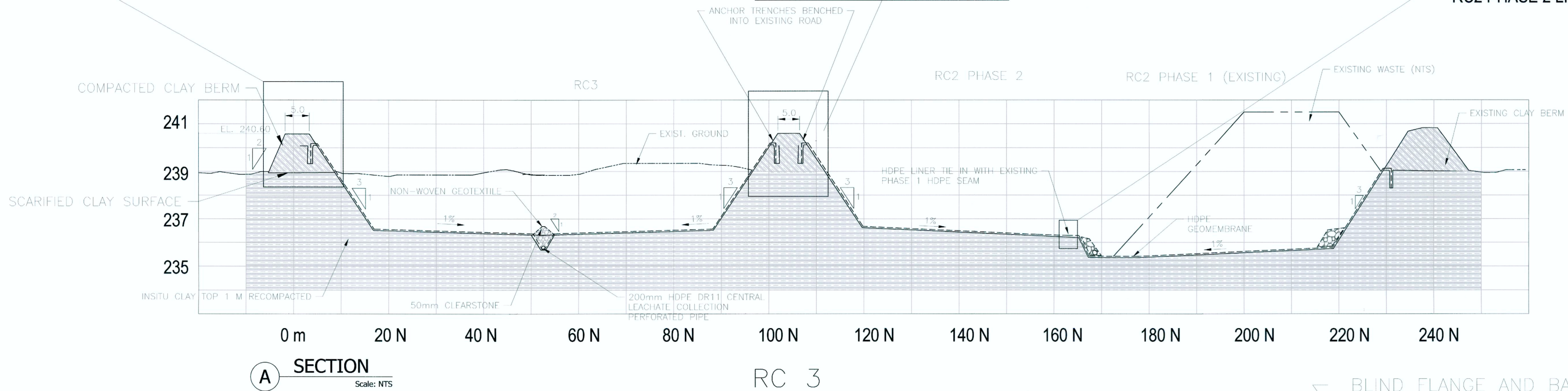
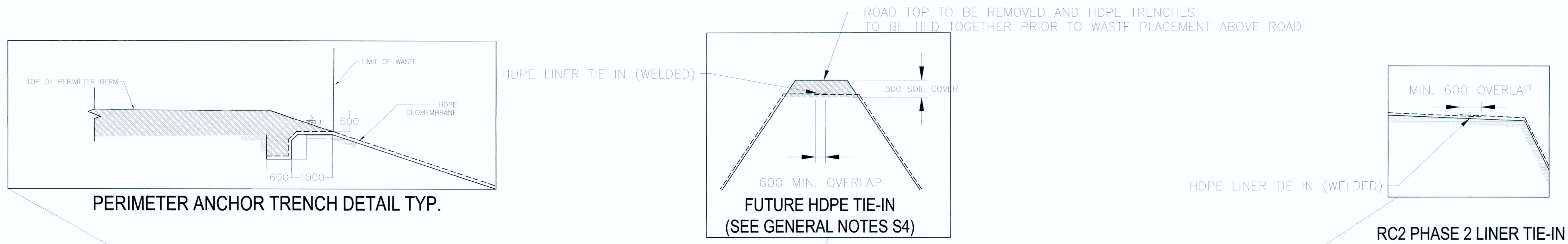
1 TOP OF CLAY FLOOR ELEVATIONS
Scale: 2mm = 1m A1

POINT	EASTING	NORTHING
1	619768.134	5449627.791
2	619921.976	5449627.791
3	619921.976	5449529.695
4	619768.134	5449529.695

REV. NO.	DESCRIPTION TO REVISION	REV. BY	DATE
0	ISSUED FOR CONSTRUCTION	RDS	2004/15



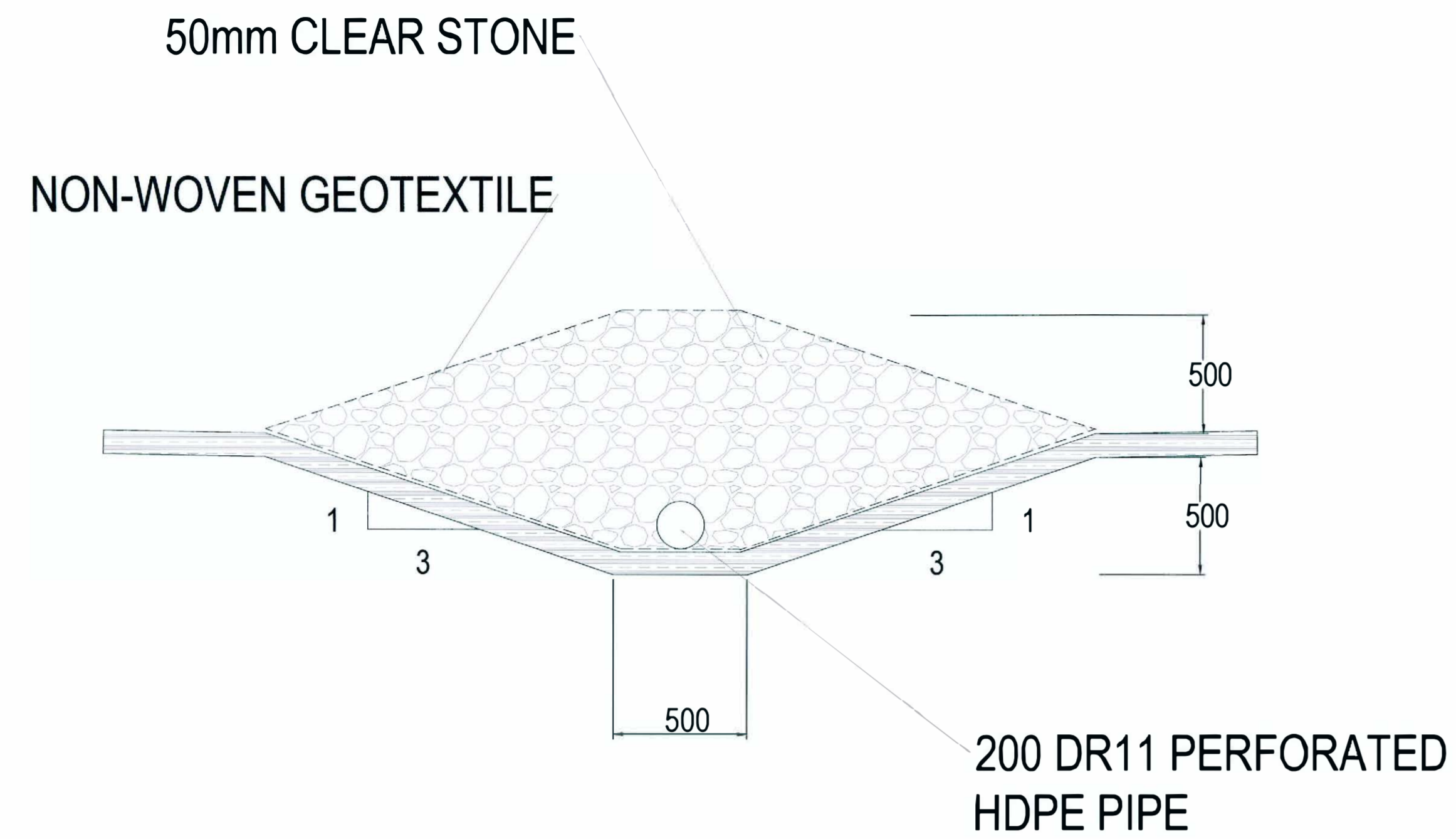
CUSTOMER	MILLER ENVIRONMENTAL CORPORATION	MEC HAZARDOUS WASTE FACILITY, ST JEAN BAPTISTE	RC3 1.1
PROJECT	RC3 REPOSITORY EXPANSION	PROJECT PORTION SITE MAP AND ELEVATIONS	
CHECKED PROPOSAL	APPROVED PROPOSAL	CLIENT APPROVED	ENGINEER APPROVED
DRAWN BY: CB	SCALE: AS NOTED	REFERENCE TO:	DRG No. 1 of 4 REV. 0



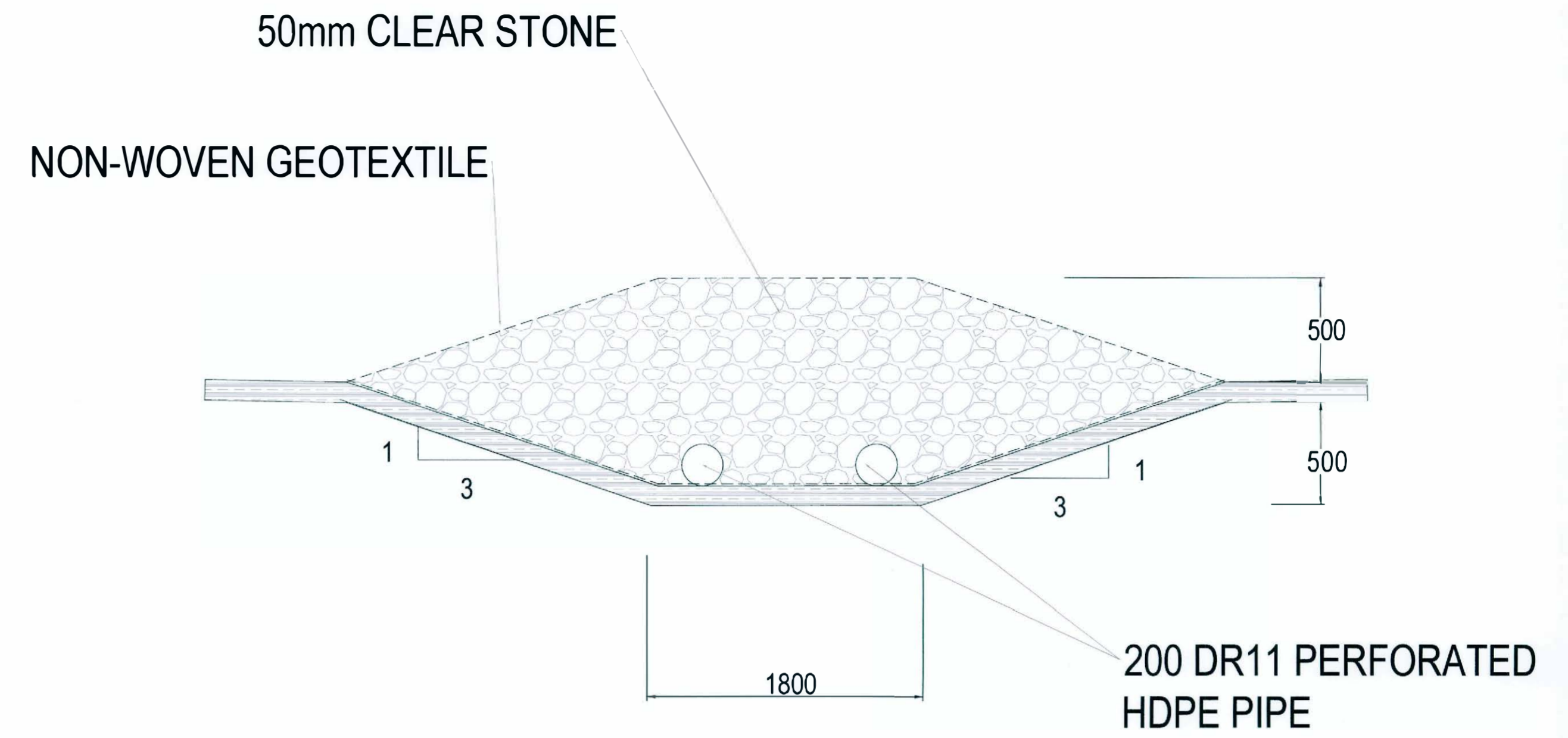
REV. NO.	DESCRIPTION TO REVISION	REV. BY	DATE
0	ISSUED FOR CONSTRUCTION	RDS	20/04/15



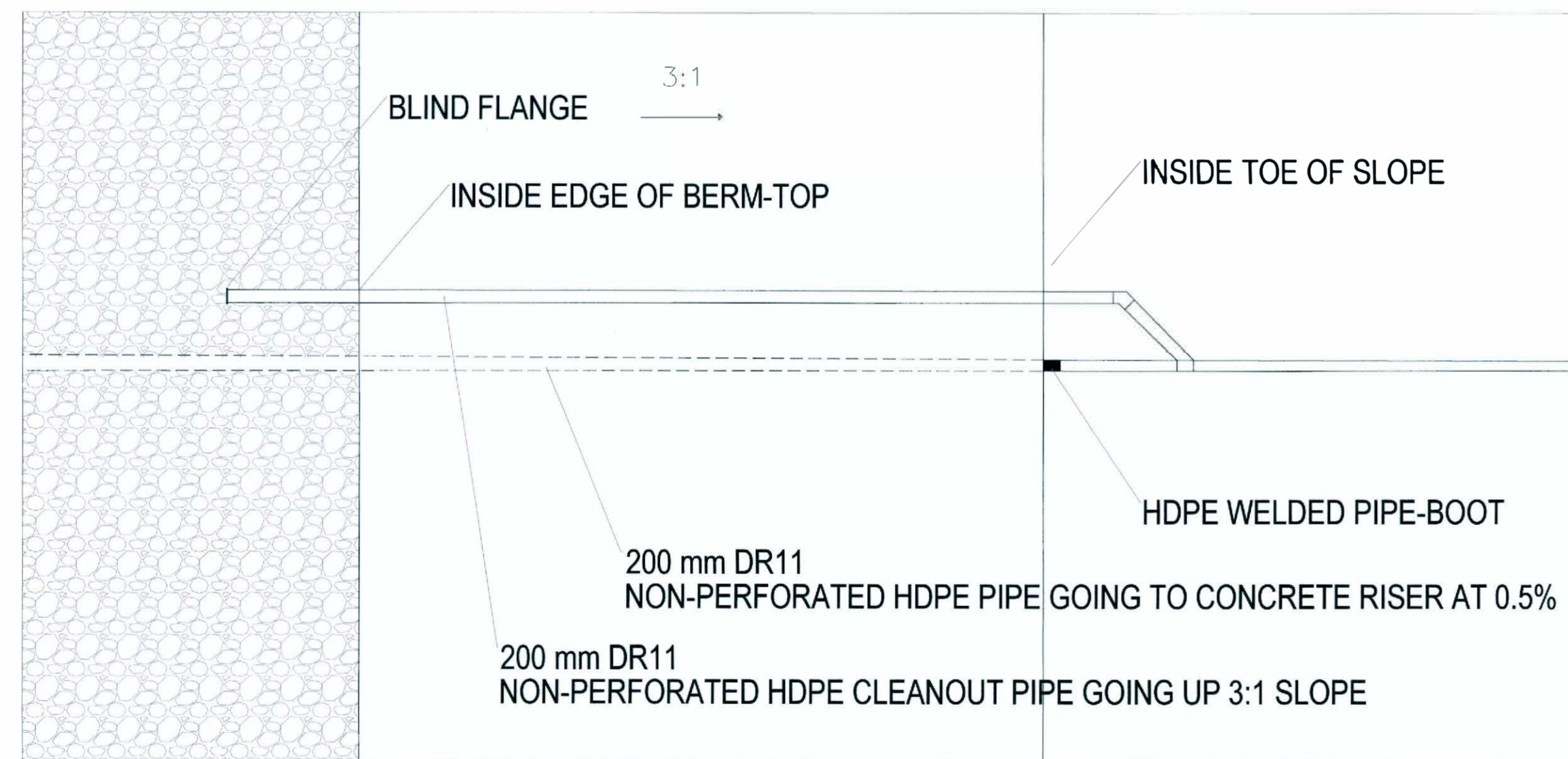
CUSTOMER	MILLER ENVIRONMENTAL CORPORATION	MEC HAZARDOUS WASTE FACILITY, ST JEAN BAPTISTE
PROJECT	RC3 REPOSITORY EXPANSION	PROJECT PORTION: REPOSITORY CELL CROSS SECTIONS
		RC3 1.2
		CHECKED PROPOSAL APPROVED PROPOSAL CLIENT APPROVED ENGINEER APPROVED
		DRAWN BY: CB SCALE: AS NOTED REFERENCE TO: DRG No. 2 of 4 REV. 0



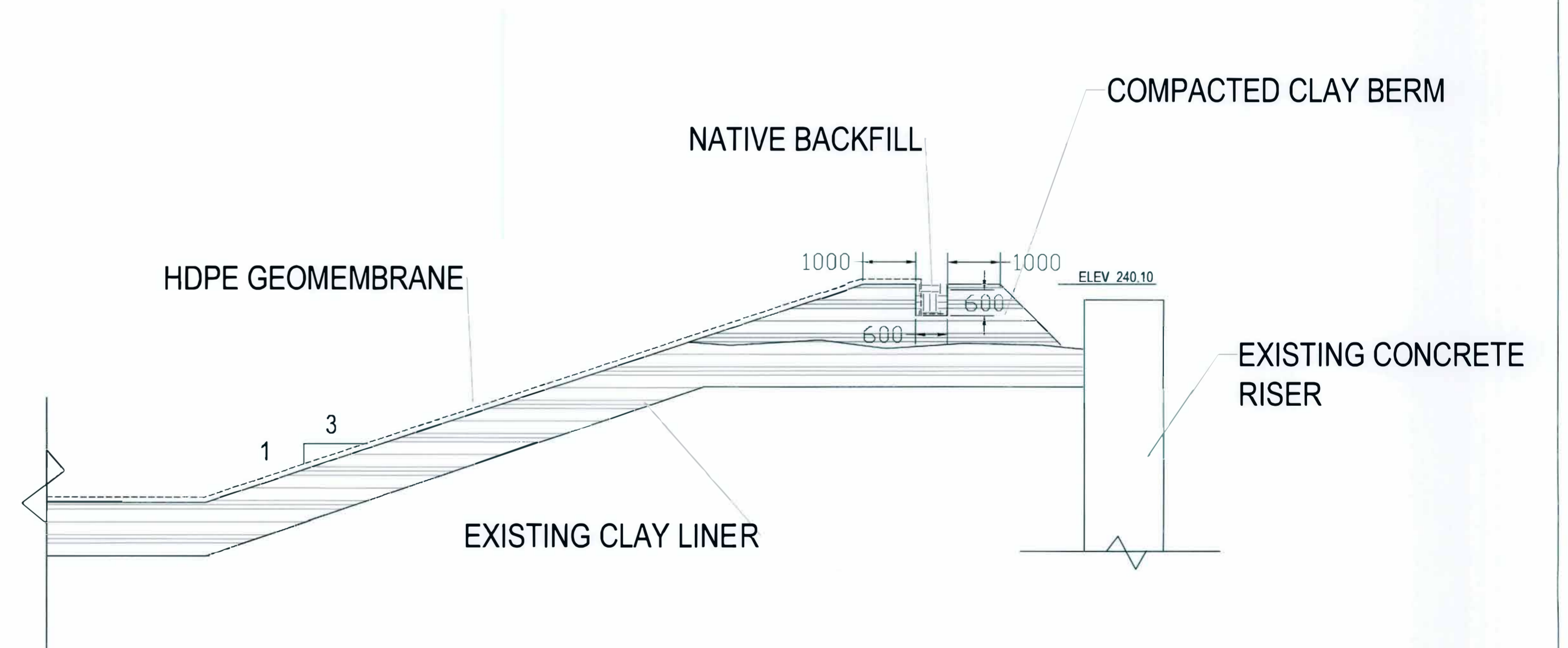
C LEACHATE COLLECTION TRENCH DETAIL
Scale: NTS



D LEACHATE COLLECTION TRENCH CLEANOUT JUNCTION DETAIL
Scale: NTS

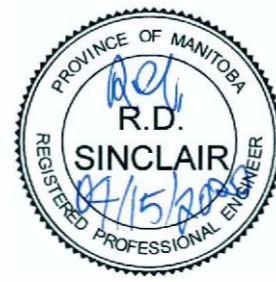


1 DETAIL 1: CLEANOUT PIPE AND PIPE TO MANHOLE PLANVIEW
Scale: NTS

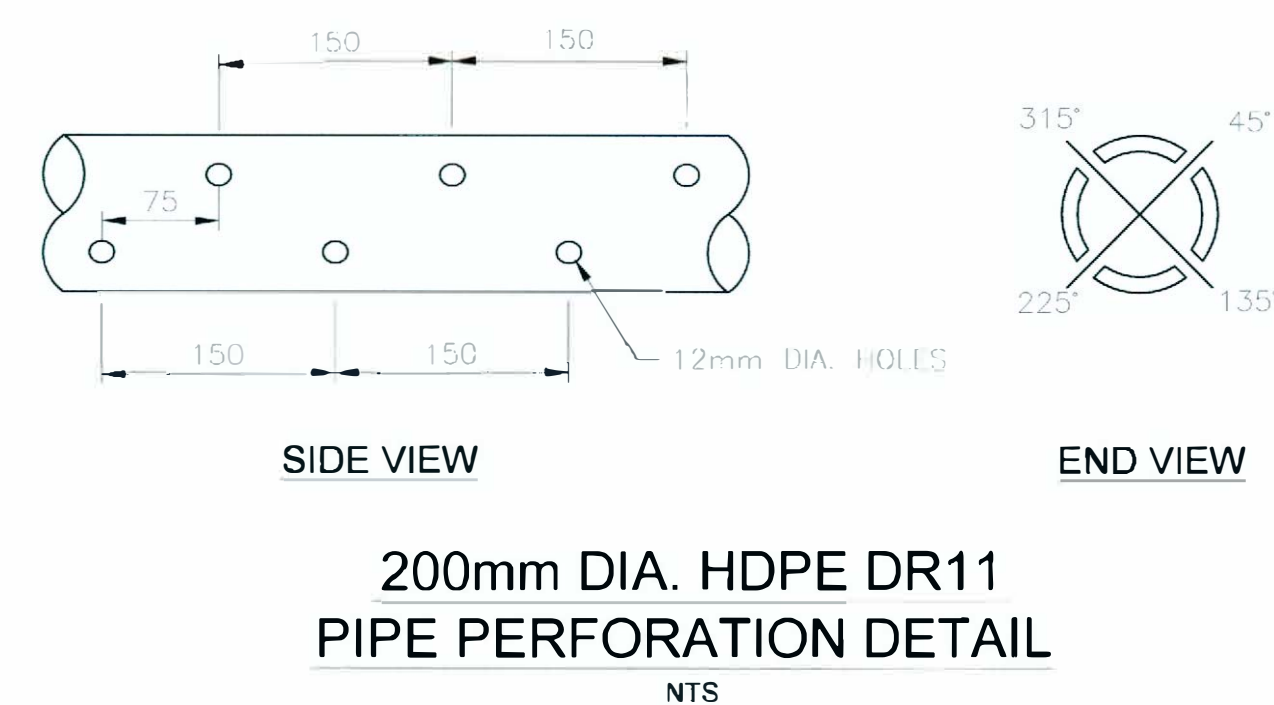
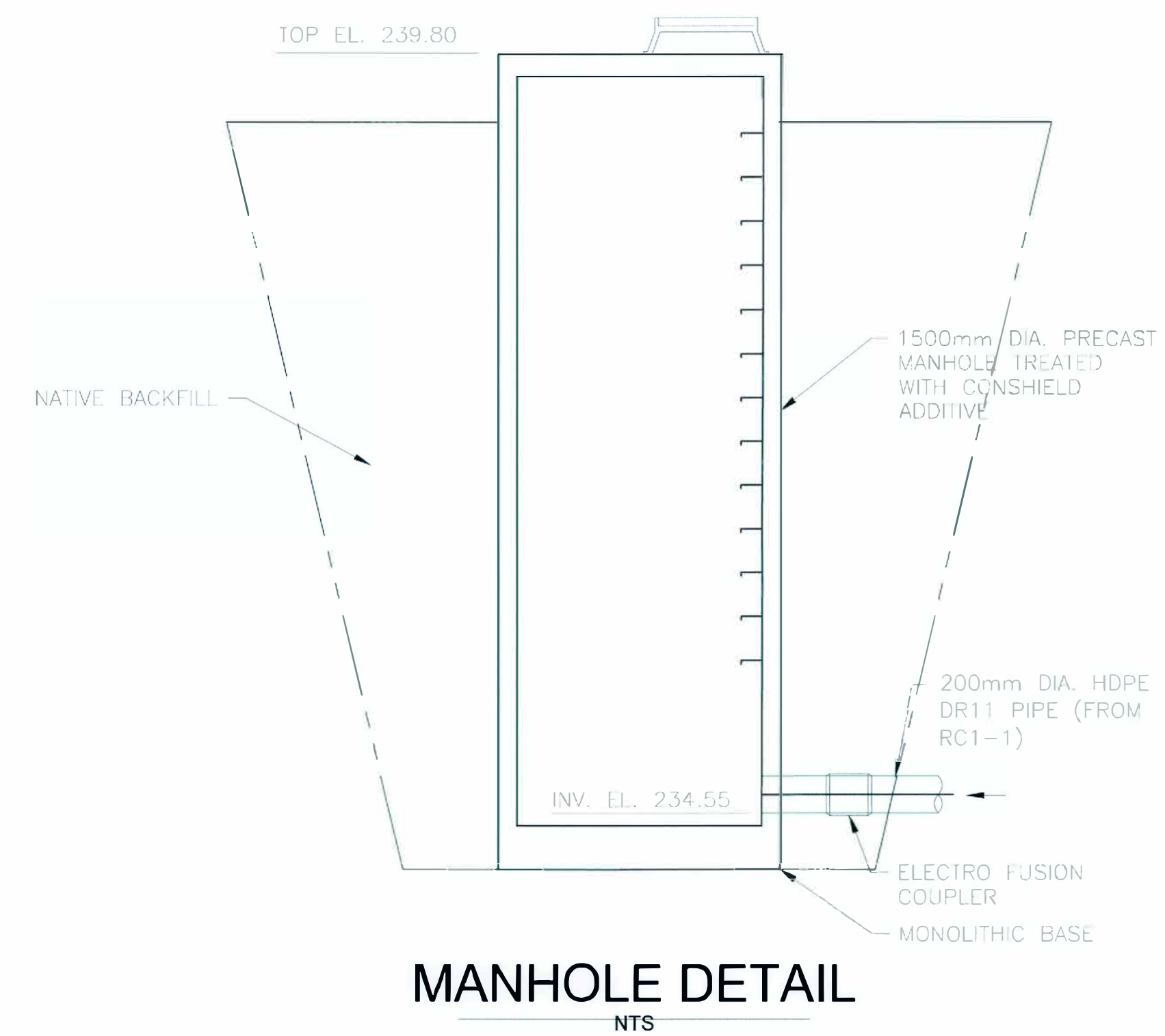
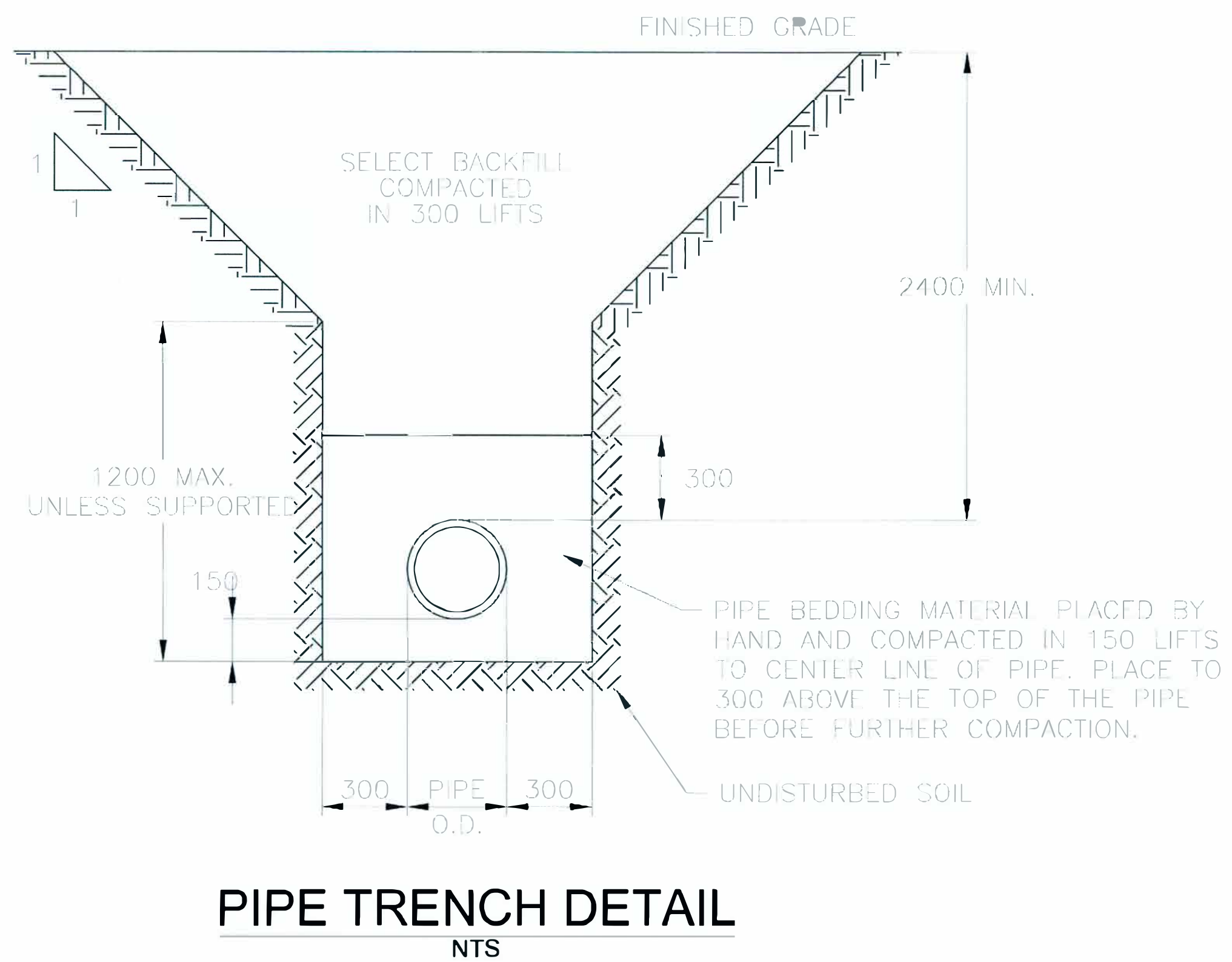


E EAST PHASE-2 PERIMETER BERM
Scale 14 mm = 1 m A 1

REV. NO.	DESCRIPTION TO REVISION	REV. BY	DATE
0	ISSUED FOR CONSTRUCTION	RDS	2004/15



CUSTOMER	MILLER ENVIRONMENTAL CORPORATION	MEC HAZARDOUS WASTE FACILITY, ST JEAN BAPTISTE	RC3 1.3
PROJECT	RC3 REPOSITORY EXPANSION	LEACHATE COLLECTION TRENCH DETAILS	
CHECKED PROPOSAL	APPROVED PROPOSAL	CLIENT APPROVED	ENGINEER APPROVED
DRAWN BY: CB	SCALE: AS NOTED	REFERENCE TO:	DRG No. 3 of 4 REV. 0



General Notes:

- In situ clay is to be reworked and recompact to a depth of 1 m (perpendicular to the surface) for all below grade surfaces. Berms are also to be constructed of recompact clay. Clay is to be placed in lifts not greater than 150 mm, be compacted to 95% of the Standard Proctor Maximum Dry Density, and must achieve a hydraulic conductivity not greater than 1.0×10^{-7} cm/s.
- Any silt pockets are to be replaced with appropriate clay material prior to reworking.
- The existing roadway between RC2 Phase 2 and RC3 will be maintained until the point at which waste will be placed above the roadway. At this time, the two HDPE ends anchored on either side of the road will be welded together to allow for containment along the former roadway as shown in DETAIL 2 of SECTION A.

REV. NO	DESCRIPTION TO REVISION	REV. BY	DATE
0	ISSUED FOR CONSTRUCTION	RDS	20/04/15



CUSTOMER	MILLER ENVIRONMENTAL CORPORATION	MEC HAZARDOUS WASTE FACILITY, ST JEAN BAPTISTE	RC3 1.4
PROJECT	RC3 REPOSITORY EXPANSION	PROJECT PORTION MANHOLE AND TRENCH DETAILS	
CHECKED PROPOSAL	APPROVED PROPOSAL	CLIENT APPROVED	ENGINEER APPROVED
DRAWN BY: CB	SCALE: AS NOTED	REFERENCE TO:	DRG No. 4 of 4 REV. 0